



GRAVITY DIVERTER VALVES

For channeling the gravity feed of free flowing materials, automatically or manually

The Meyer Diverter Valve offers an effective method for directing product flow from a single source to multiple destinations. Ideal for batch systems. Can also be used as a two in to one gathering hopper.

Designed to handle the gravity feed of dry powders, pellets, granules, or any other free flowing product. Valve is dust tight inside to outside. Flap-gate minimizes leakage between system legs. Contact factory representative for pressure and temperature limitations.

Rugged overall construction insures dependable service

Standard construction is heavy gauge mild steel. Also available in stainless, aluminum and abrasion resistant steel.

Can be operated manually or automatically with air or electric actuators. Optional limit switches indicate which leg is open to product flow.

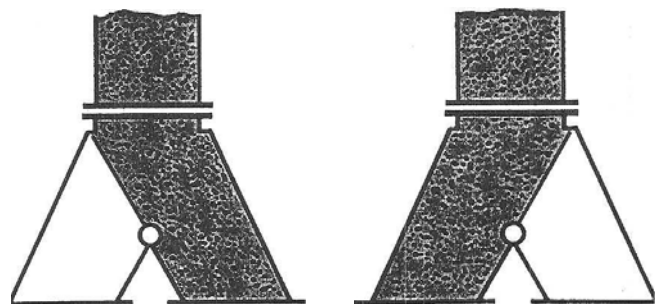
Air actuator includes cylinder, 4-way double solenoid valve, air filter/regulator/lubricator and flow control valve.

All controls are factory mounted and calibrated. Standard flanges in sizes 4" through 24" match pattern of square design Meyer Rotary Airlock Feeders and other Meyer system components. Square to round



Features

- Manual, air or electric actuator operation
- Air filter, regulator, lubricator and flow control valve
- Optional limit switches
- Mild steel construction standard, stainless, aluminum and abrasion resistant steel also available
- Control are factory mounted and calibrated

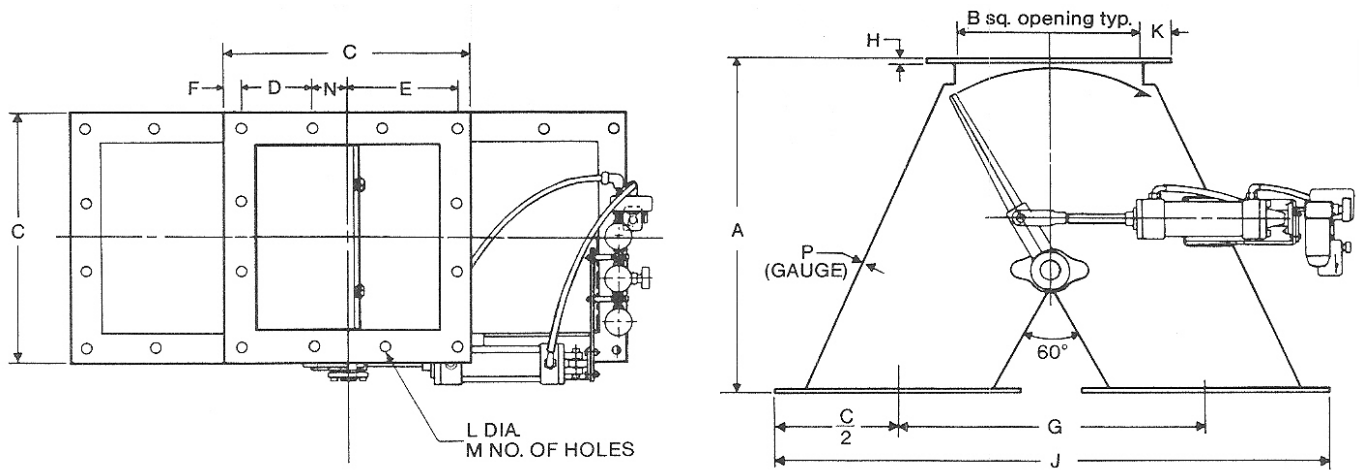


Efficient design provides quick flow change for a wide range of applications

Wm. W. Meyer & Sons, Inc.

1700 Franklin Blvd. - Libertyville, IL 60048 - Phones: (800) 963-4458 - (847) 918-0111 - Fax: (847) 918-8183
website: www.wmwmeyer.com - email: sales@wmwmeyer.com

Diverter Valve/Dimensions (In inches)



SIZE	A	B	C	D	E	F	G	H	J	K	L	M	N	P	CLY. BORE	WT./LBS.
4	13	3-3/4	5-1/2	---	2-3/8	3/8	9	7 GA.	14-1/2	7/8	5/16	8	1-1/4	10	1-1/2	35
6	15	6	8-1/4	---	3-5/8	1/2	12	7 GA.	20-1/4	1-1/8	7/16	8	1-7/8	10	1-1/2	60
8	17-1/2	8	11	---	4-7/8	5/8	15	1/4	26	1-1/2	7/16	8	2-1/2	10	2	85
10	20	10	13-1/2	4	6	3/4	17	1/4	30-1/2	1-3/4	9/16	12	2	10	2	120
12	21-1/2	12	16-1/4	4-7/8	7-5/16	13/16	20	1/4	36-1/4	2-1/8	9/16	12	2-7/16	10	2	150
14	25	14	19	4-1/4	8-1/2	1	23	3/8	42	2-1/2	9/16	16	4-1/4	7	2-1/2	240
16	28	16	22	5	10	1	26	3/8	48	3	9/16	16	5	7	2-1/2	300
18	30	18	24	5-1/4	10-1/2	1-1/2	28	3/8	52	3	11/16	16	5-1/4	7	2-1/2	350
20	32	20	26	5-3/4	11-1/2	1-1/2	30	3/8	56	3	11/16	16	5-3/4	7	3-1/4	410
22	35	22	28	5	12-1/2	1-1/2	32	3/8	60	3	11/16	20	2-1/2	7	3-1/4	470
24	37	24	30	5-1/4	13-1/8	1-7/8	34	3/8	64	3	11-16	20	2-5/8	7	3-1/4	530

Wm. W. Meyer & Sons, Inc.

273-A-004

1700 Franklin Blvd. - Libertyville, IL 60048 - Phones: (800) 963-4458 - (847) 918-0111 - Fax: (847) 918-8183
 website: www.wmwmeyer.com - email: sales@wmwmeyer.com